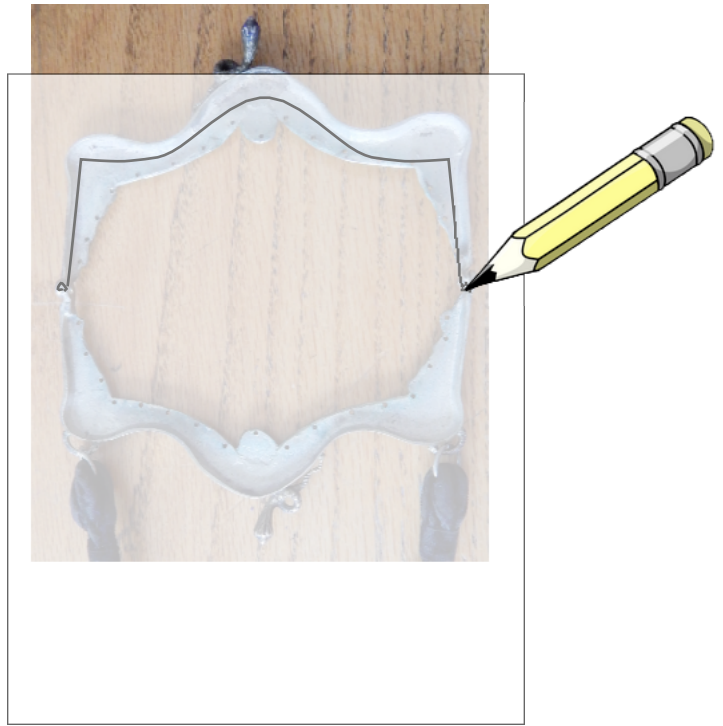
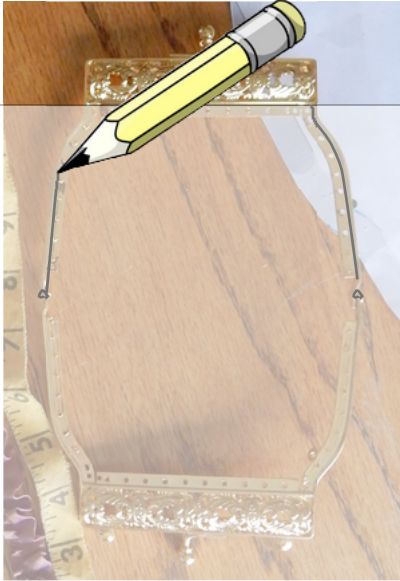
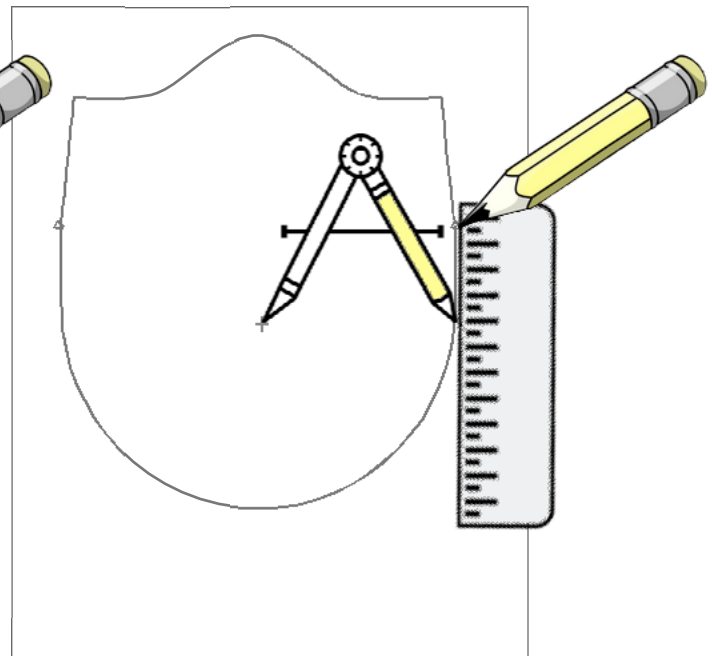
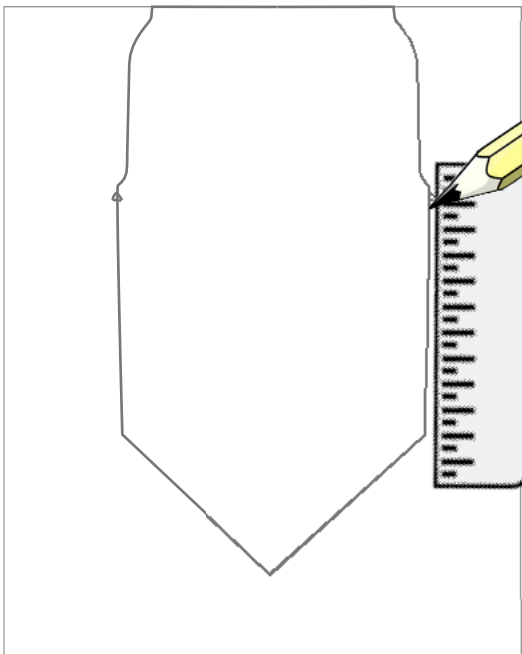


# HOW TO MAKE A PATTERN FOR A HINGE FRAME

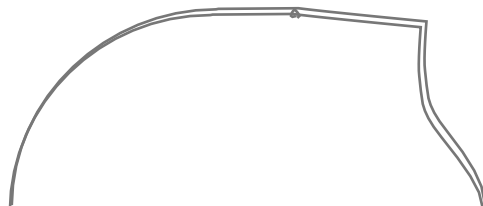
1) Cover the frame with a piece of tracing paper. If your frame is straight along the top then line the paper up with the top of the channel if not then make sure it is at least 1/4" above the holes. Trace the edge of the channel or the line far enough above the holes so your fabric can be sewn into the frame.



2) Decide how long you want your bag to be and the shape of the bottom. Draw that on the paper as well. Cut the paper out along the lines and make sure it fits.

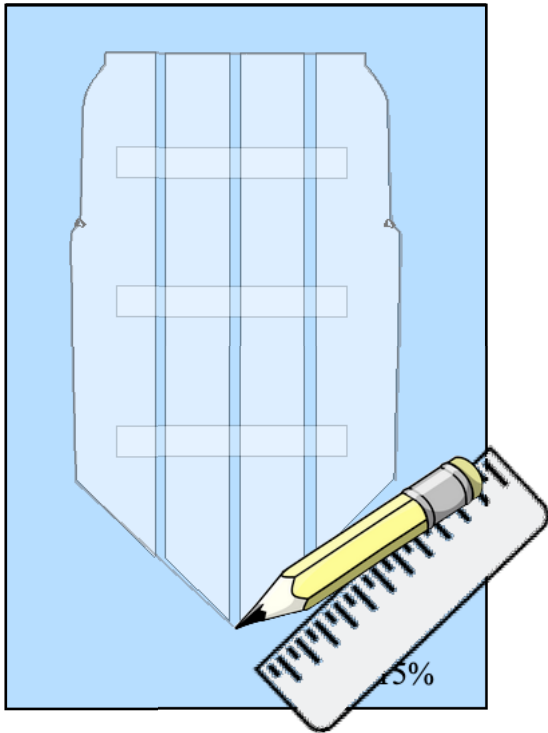


3) Fold it in half and make sure it is symmetrical side to side.

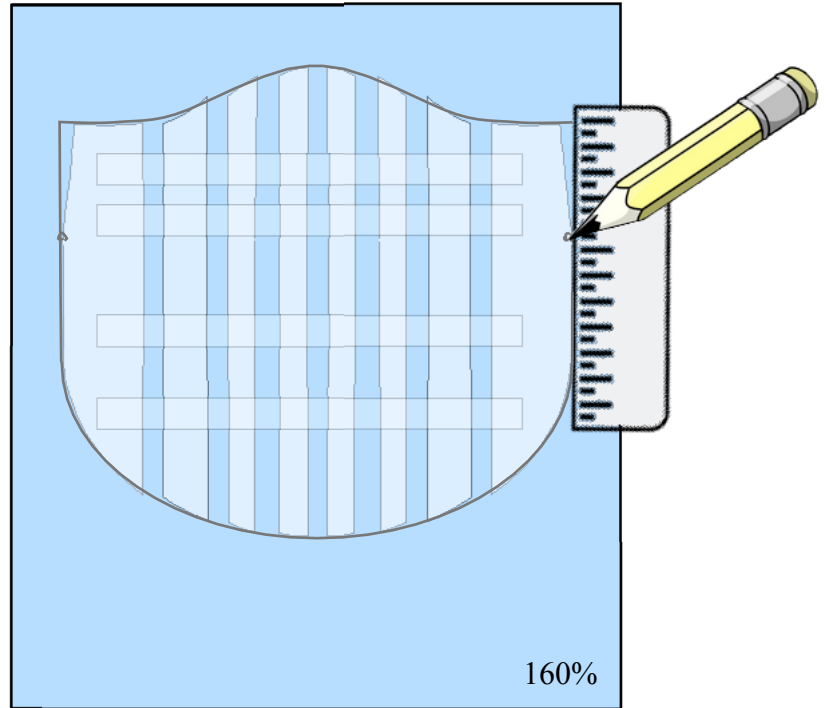


## Option 1, Gathers or pleats

4) Cut the pattern up into sections longways. You need to cut more sections if you have a curved top edge, that will make it easier to create a smoother curve in the final pattern. Tape the pieces over the final pattern paper spreading the pieces apart. Make sure you have at least 1/2" for the seam allowance. Before you tape you pieces onto the pattern paper decide how much fullness you want in your final purse. Trace around the pattern this will be your seam line.

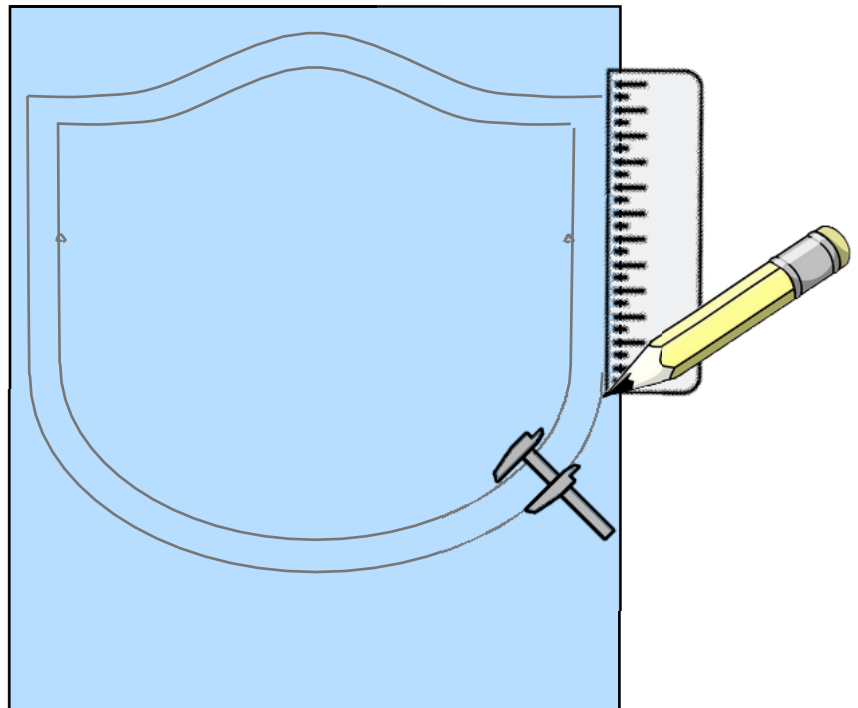
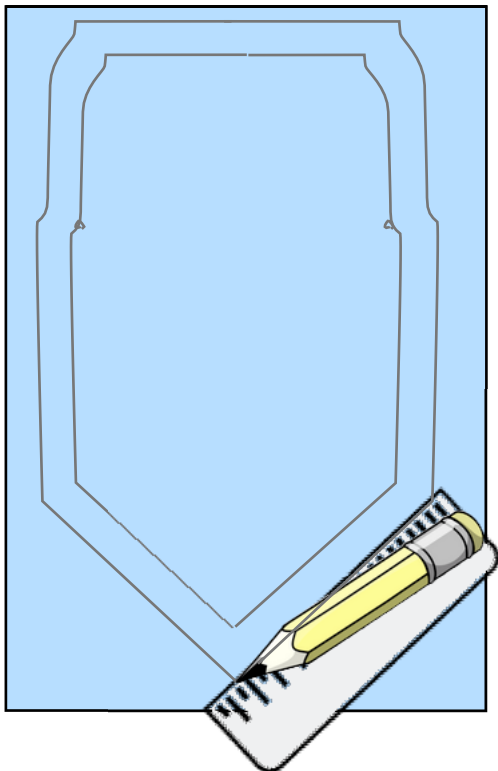


For a pattern with not a lot of fullness it's a good idea to bring the lower side seam a little to the outside of the hinge.



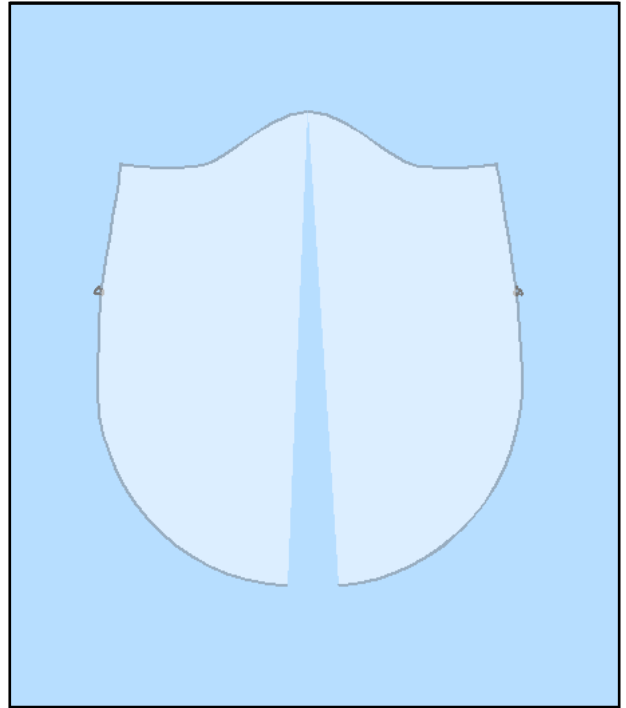
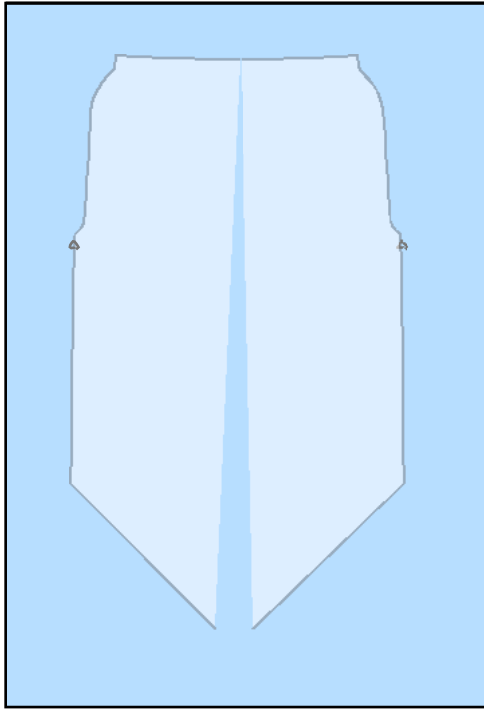
Even with a frame that angles in from the hinges it's not necessary for the pattern to angle in by making it straight you can add more fullness and make it a little easier to sew.

5) With a ruler for the straight lines and a seam gage for the curves, draw a line 1/2" away from the seam line for the seam allowance.

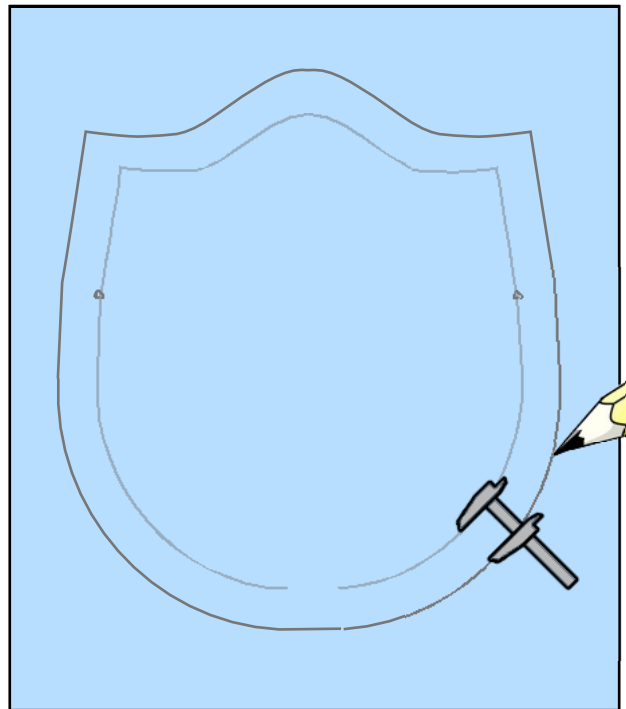
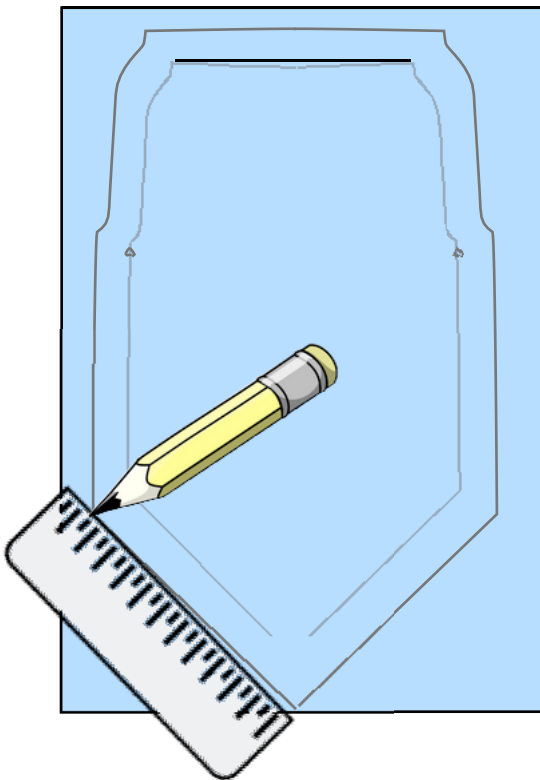


## Option 2, if you do not want a gathered bag.

4) you can create enough space for you hand without gathering the bag by splitting the pattern along the center line and angling the bottom edges away from each other. I suggest at least 3/4".



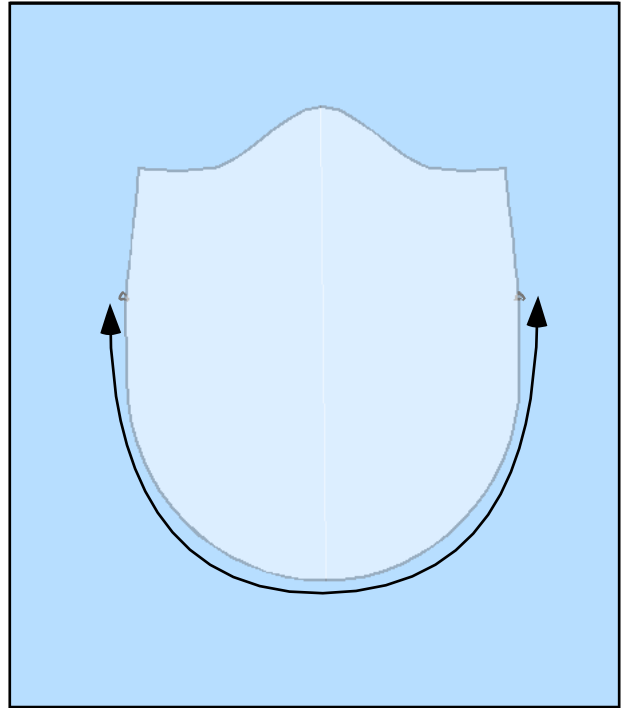
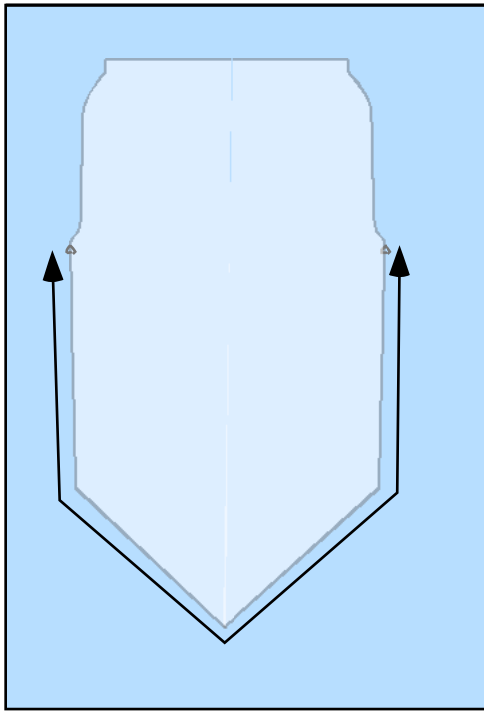
5) If the top edge is a straight line which is now a shallow "V" draw a new line from edge to edge.



6) With a ruler for the straight lines and a seam gage for the curves, draw a line 1/2" away from the seam line for the seam allowance.

## Option 3, A gusset

4) you can create enough space for you hand without gathering the bag by an extra piece of fabric from the hinge around the the hinge. For the width I suggest 1/2 to 1". Measure the distance from hinge to hinge that will be the length.



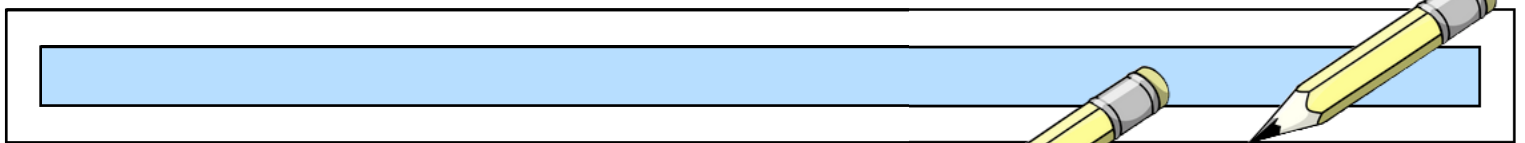
5) This strip of fabric does not need to be the same width along it's entire length it can be wider near the bottom than it is near the hinges.



or



6) With a ruler for the straight lines and a seam gage for the curves, draw a line 1/2" away from the seam line for the seam allowance.



or

