

Print each page at 100% trim them to the red line.
Tape them together.

Side Piece

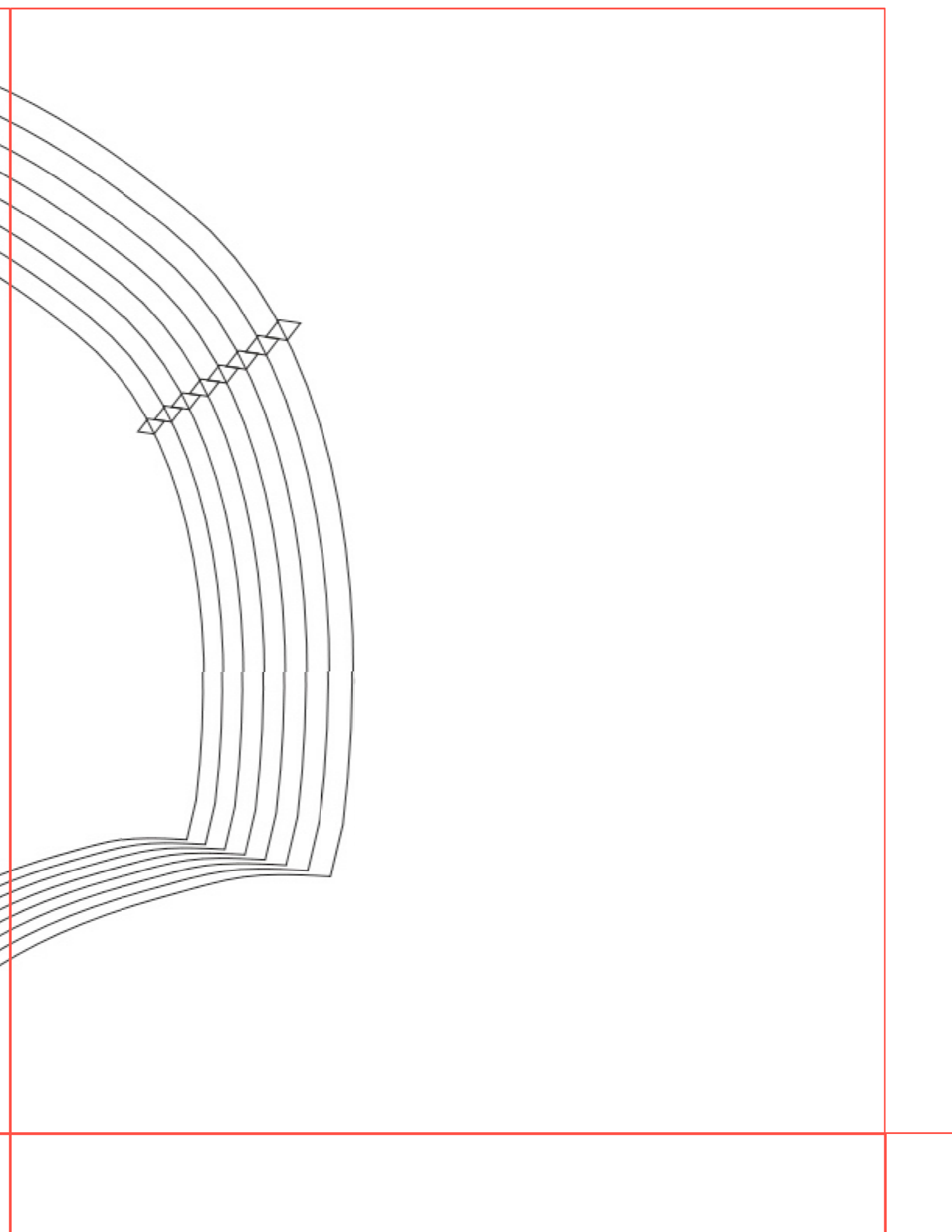
Cut two of padding

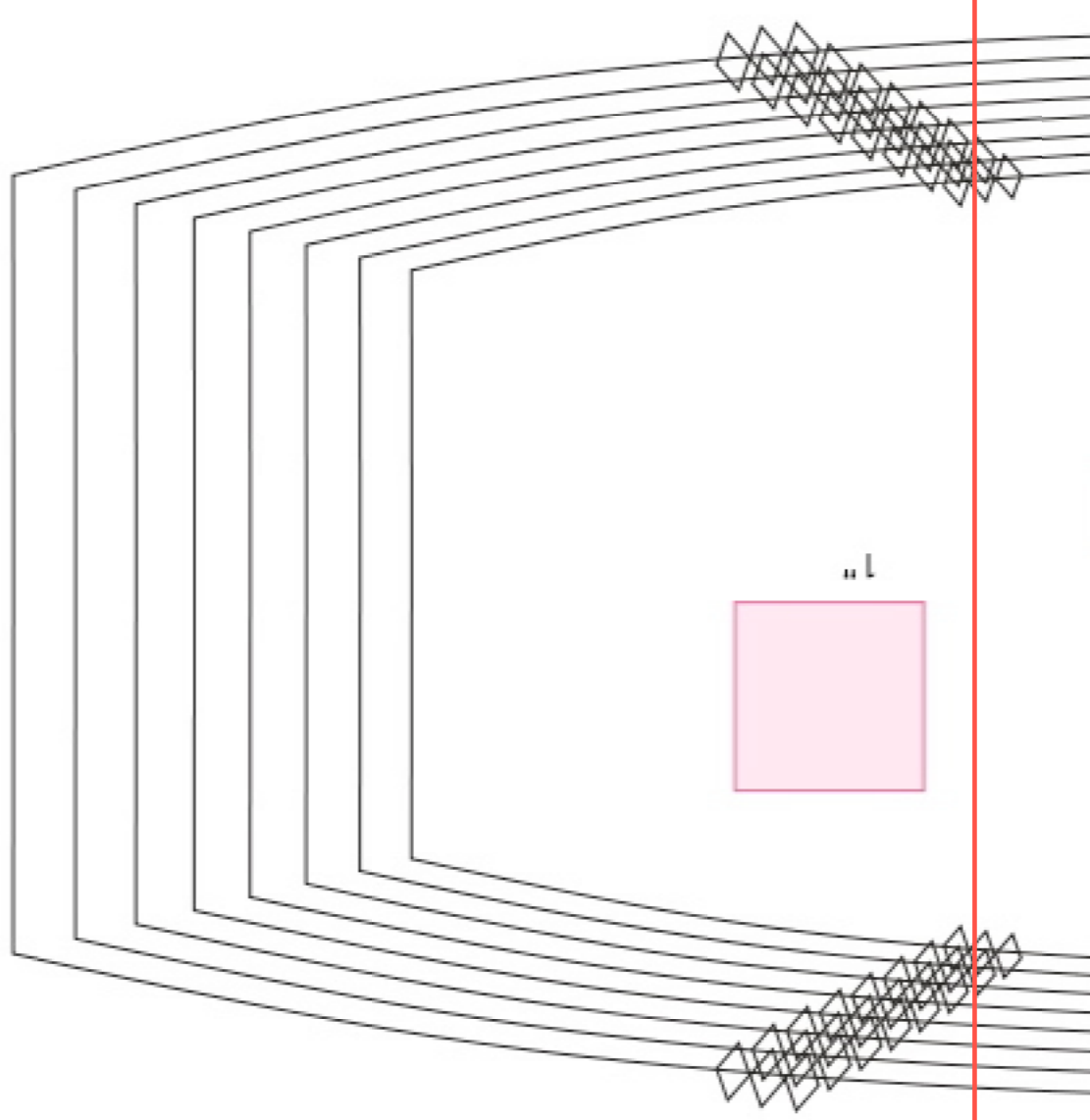
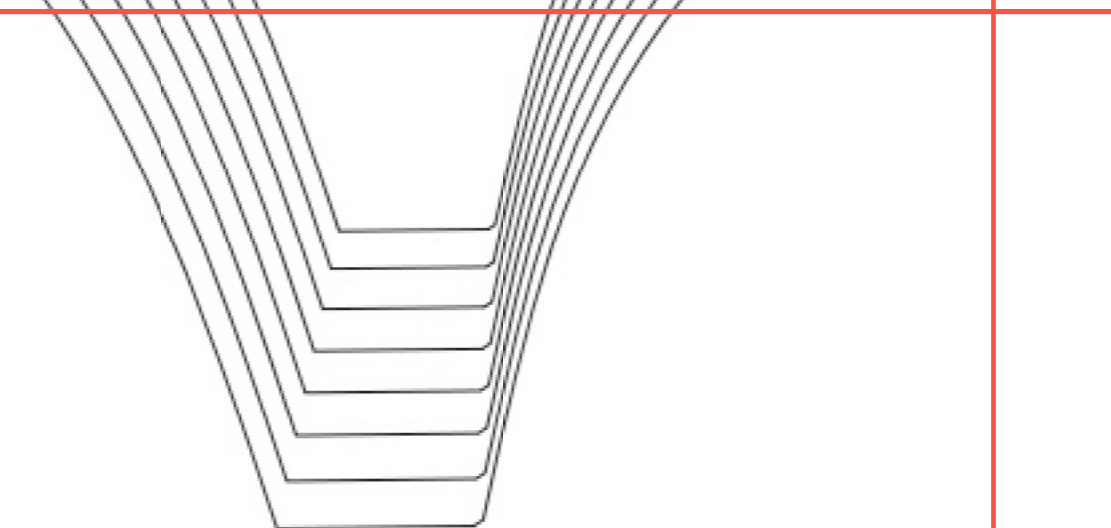


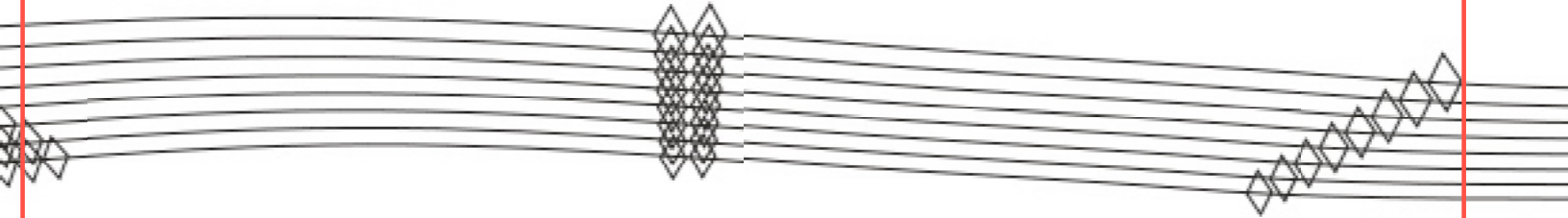
1cm



1"







Center Piece Cut one of padding

1 cm



1"

